

Type 288P Orange Drop[®] R-C Arc Suppressor Network

Features

- Designed for arc and transient suppression. Extends life of relays, switches, triacs and related products.
- Low cost, single low-profile package, Radial-lead.
- Metallized polyester film capacitor and low value 1/2 watt carbon composition resistor connected in series.

Specifications

Capacitance Values:

.1, .22 and .47 μ F

Resistor Values:

47, 100 and 470 Ohms

Tolerance:

\pm 10% for both capacitor and resistor.

Voltage Rating:

400 Volts D-C/250 Volts A-C

Insulation Resistance:

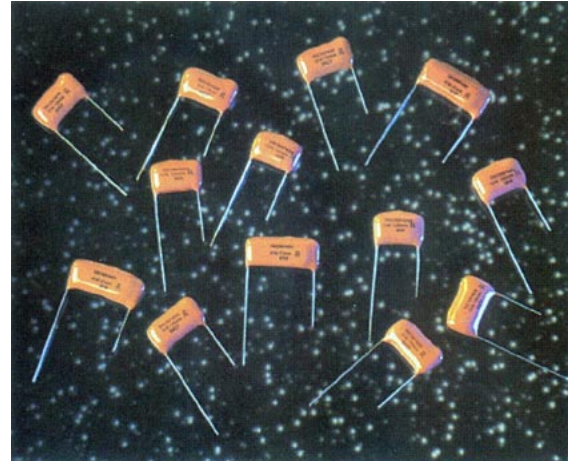
10,000 M Ω minimum at +25°C

Operating Temperature Range:

-40°C to +85°C

Capacitor Section:

Metallized polyester film.



Resistor:

1/2 watt carbon composition

Capacitor Lead Wire:

Tinned copper-clad steel,
0.032 (0.8) diameter, #20 AWG

Resistor Lead Wire:

Tinned copper,
0.028 (0.7) diameter, #22 AWG

Encapsulation:

Conformal coating of flame retardant orange epoxy (meets UL94V-2 specifications).

A-C Voltage Operation:

250 Volts RMS, maximum. Sum of D-C and peak A-C voltages not to exceed D-C rating of 400 VDC.

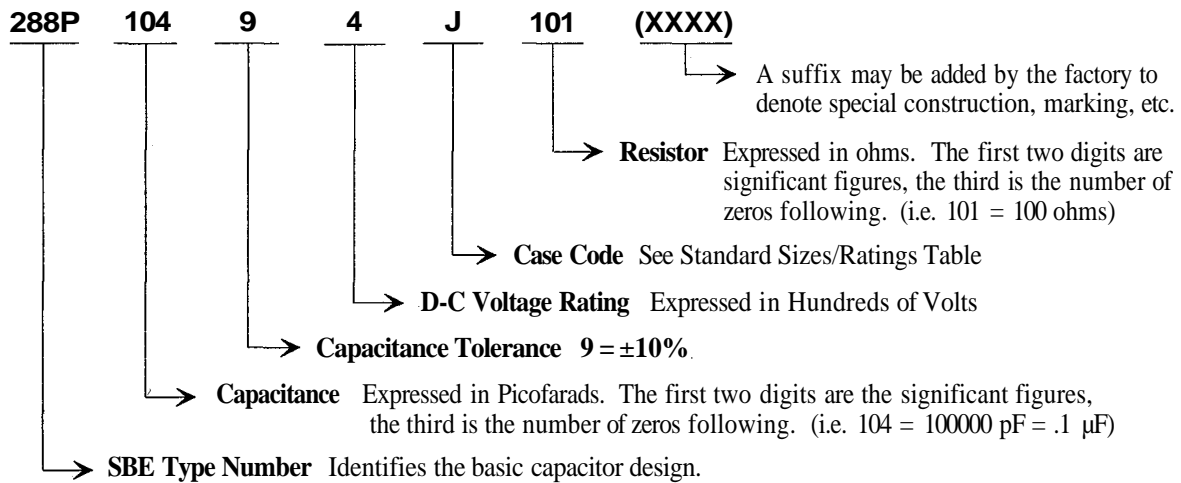
Humidity Test:

Units subjected to 95% relative humidity at +75°C for 72 hours with no voltage applied. After drying, minimum IR shall be 5000 M Ω at +25°C and 400 VDC.

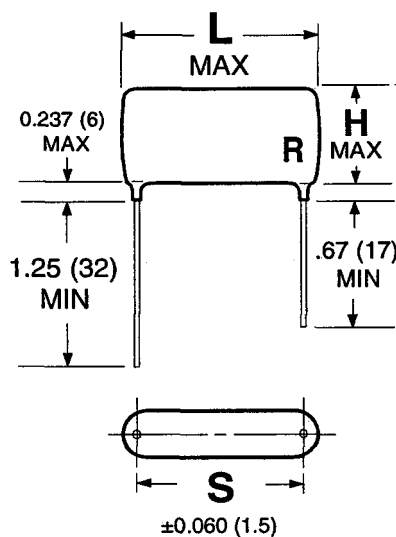
Dimensions in inches, metric (mm) in parenthesis.



Ordering/Part Number Information



Dimensions



Standard Marking Format

Marking	Description
SBE	SB Electronics identification
288P	Type number
400V	D-C Voltage rating, Volts
104K	Capacitance and tolerance code (EIA tolerance code, K = $\pm 10\%$)
100 ohm	Resistor value in ohms
9810	Date code (i.e. 10th week of 1998)
R	Indicates resistor side of network

Type 288P Standard Sizes/Ratings - 400 VDC/250 VAC*

Cap Value, μ F	Resistor, Ω	Part Number ¹	L	T	H	S
0.1	100	288P10494J101	1.000 (25.4)	.46 (11.7)	.63 (16.0)	.691 (17.6)
0.1	470	288P10494J471	1.000 (25.4)	.46 (11.7)	.63 (16.0)	.691 (17.6)
0.22	100	288P22494H101	1.125 (28.6)	.37 (9.4)	.59 (15.0)	.817 (20.8)
0.22	470	288P22494H471	1.125 (28.6)	.37 (9.4)	.59 (15.0)	.817 (20.8)
0.47	47	288P47494K470	1.437 (36.5)	.41 (10.4)	.63 (16.0)	1.129 (28.7)
0.47	100	288P47494K101	1.437 (36.5)	.41 (10.4)	.63 (16.0)	1.129 (28.7)

* Voltage rating at 60 Hz, RMS

¹ Shaded part numbers above are standard stock items available through the Sprague/Vishay Distribution Network.

Dimensions in inches, metric (mm) in parenthesis.

