

Type 298P Orange Drop®
R-C Network
330 Volts A-C

Features

- Designed for arc suppression, snubber and line frequency applications.
- Low cost, single low-profile package, Radial-lead.
- High A-C voltage polyester film/foil capacitor and low value ½ watt carbon composition resistor connected in series.

Specifications

Capacitance Values:
0.047 and 0.1 µF

Resistor Values:
47, 100 and 470 Ohms

Tolerance:
±10% for both capacitor and resistor

Voltage Rating:
330 Volts A-C/500 Volts D-C

Corona Start Voltage (typical):
450-500 Volts RMS

Insulation Resistance:
10,000 MΩ minimum at +25°C



Operating Temperature Range:
-40°C to +85°C

Capacitor Construction:
Polyester film non-inductively wound with extended foil. Series-section, hybrid design utilizes a floating common of metallized polyester film, which provides self-healing characteristics.

Resistor:
½ watt carbon composition

Capacitor Lead Wire:
Tinned copper-clad steel,
0.032 (0.8) diameter, #20 AWG

Resistor Lead Wire:
Tinned copper,
0.028 (0.7) diameter, #22 AWG

Encapsulation:
Conformal coating of flame retardant orange epoxy (meets UL94V-2 specifications)

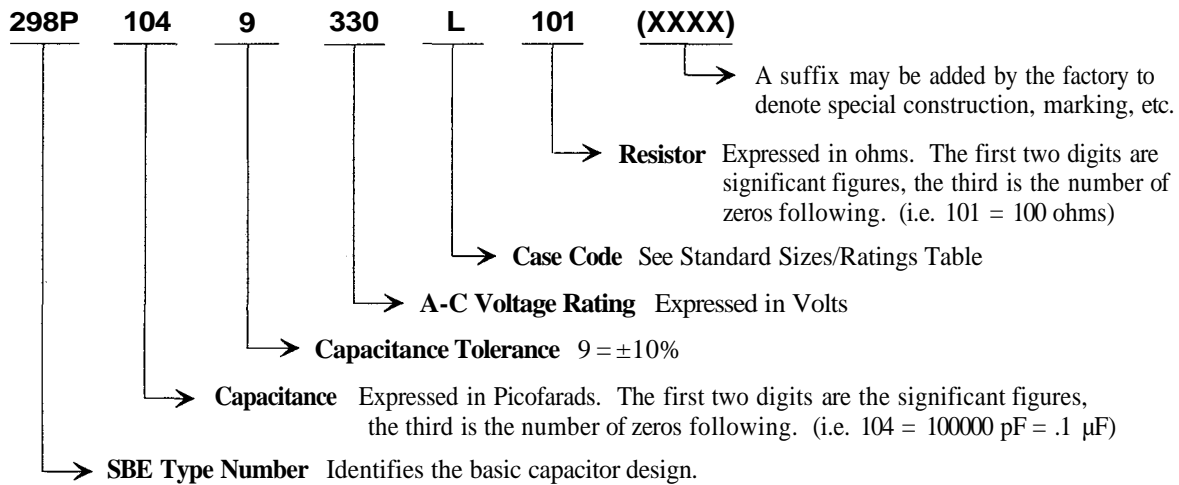
Dimensions in inches, metric (mm) in parenthesis.





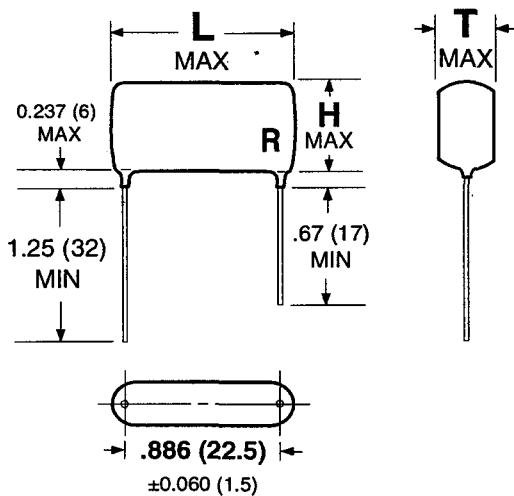
SBE

Ordering/Part Number Information



Dimensions/Lead Spacing

Standard Marking Format



Marking	Description
SBE	SB Electronics identification
298P	Type number
330VAC	A-C Voltage rating, Volts
104K	Capacitance and tolerance code (EIA tolerance code, K = ±10%)
100 ohm	Resistor value in ohms
9810	Date code (i.e. 10th week of 1998)
USA	Made in Vermont, USA
R	Indicates resistor side of network

Type 298P Standard Sizes/Ratings - 330 VAC/500 VDC*

Cap Value, μF	Resistor, Ω	Part Number ¹	L	T	H
0.047	47	298P4739330L470	1.15 (29.2)	.35 (8.9)	.64 (16.3)
0.047	100	298P4739330L101	1.15 (29.2)	.35 (8.9)	.64 (16.3)
0.047	470	298P4739330L471	1.15 (29.2)	.35 (8.9)	.64 (16.3)
0.1	47	298P1049330L470	1.15 (29.2)	.45 (11.4)	.68 (17.3)
0.1	100	298P1049330L101	1.15 (29.2)	.45 (11.4)	.68 (17.3)
0.1	470	298P1049330L471	1.15 (29.2)	.45 (11.4)	.68 (17.3)

* Voltage rating at 60 Hz, RMS

¹ Shaded part numbers above are standard stock items available through the Sprague/Vishay Distribution Network.

Dimensions in inches, metric (mm) in parenthesis.

