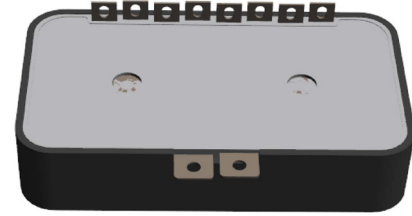


## Power Ring Film Capacitor™ 1000 $\mu$ F, 450 Vdc

The 700A10894-152 Power Ring is a 450 Vdc, 1000  $\mu$ F DC Link Capacitor with an ESR of 110 micro-Ohms at 20 kHz and an ESL of 15 nH.



### Electrical Specifications

**SBE Part #:** 700A10894-152

**Capacitance/Tolerance:** 1000  $\mu$ F  $\pm$ 10%

**DC Voltage Rating:** 450 Vdc

**Dielectric/Construction:** Metallized polypropylene film. Dual windings integrated to a laminar bus

**Dielectric Withstand Voltage:** Units 100% tested at DC voltage of 560 Volts for 2 minutes at 25°C

**ESL at Output Tabs:** Less than 15 nH for unit as shown (value does not include effects from any additional hardware, bus adaptor, etc.)

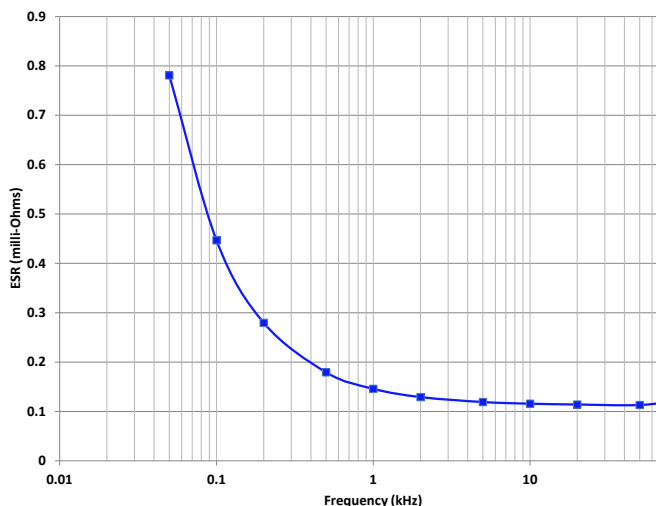
**Thermal Resistance:** 1°C/W

**Operating Temperature:** -40°C to +85°C at full DC voltage rating

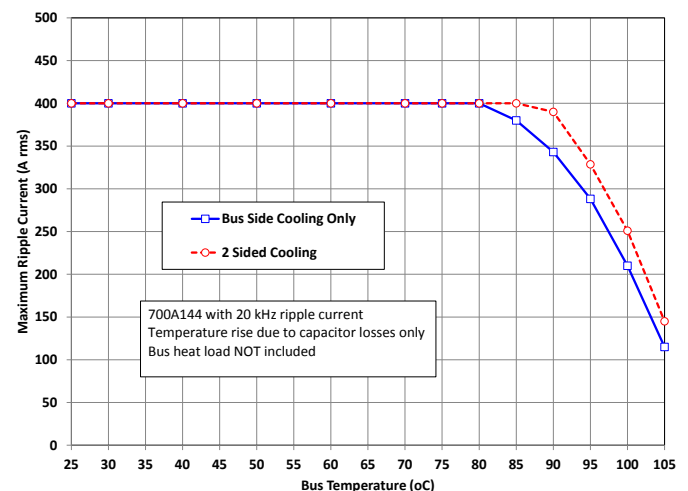
**Voltage, Temperature De-rating:** De-rate voltage linearly to 300 Volts from +85°C to +105°C,

**System Fault Current Rating:** 3,000 Amps maximum (external to the capacitor)

### Typical ESR vs. Frequency:



### RMS Current Rating:



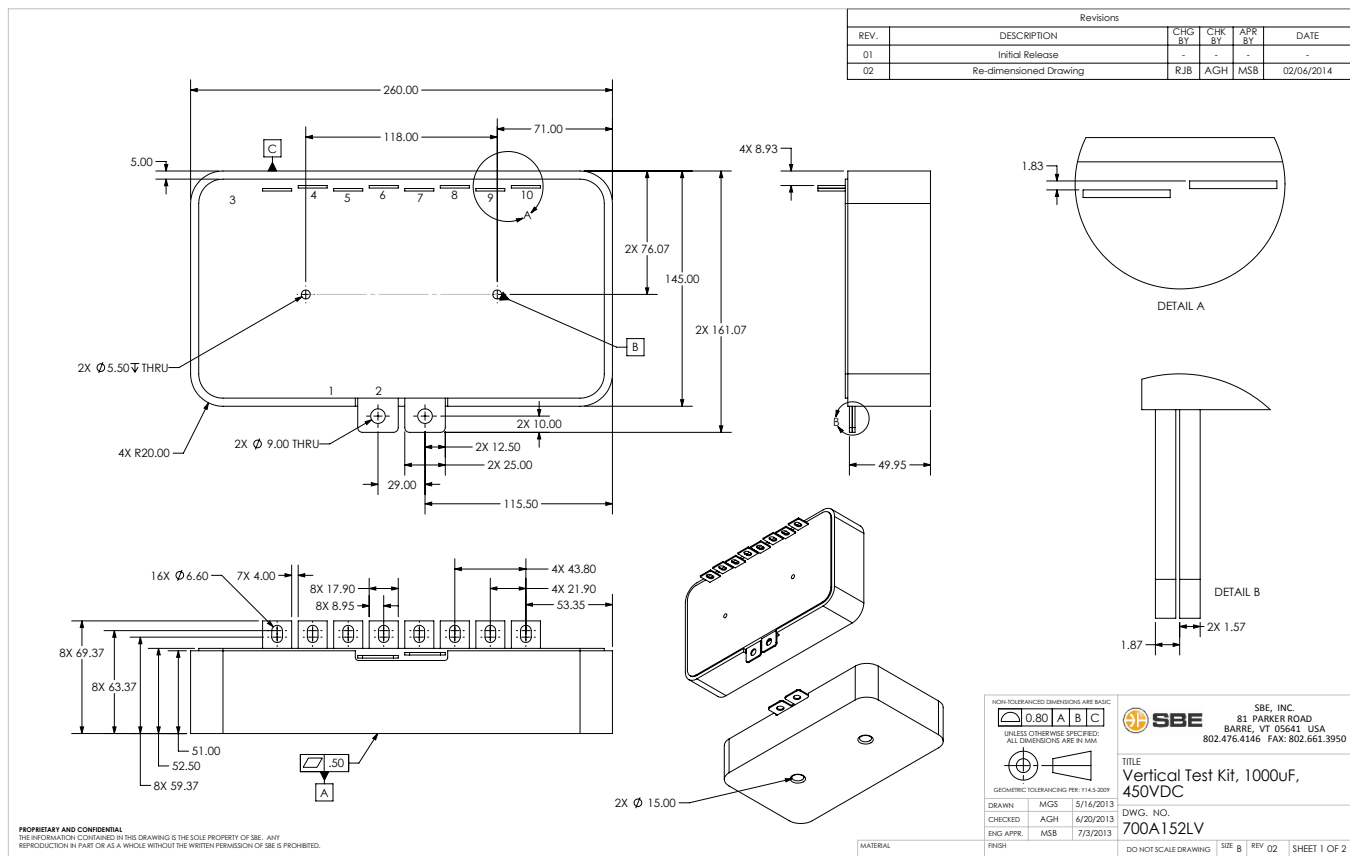
## Mechanical Specifications

**Dimensions:** See layout drawing for details  
**Bus/Terminals Tabs:** Tin plated copper, 0.062" thick  
**Encapsulation:** Molded polymer case, potted with RTV.

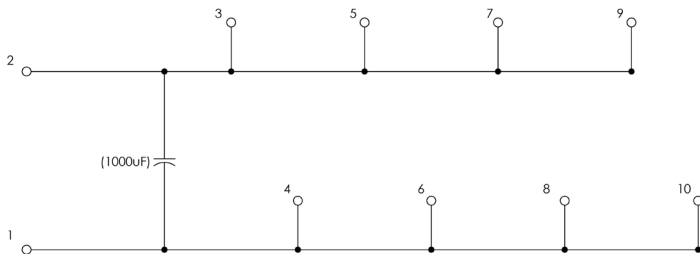
**Marking:** SBE Inc.  
 700A152  
 1000  $\mu\text{F} \pm 10\%$   
 450 Vdc  
 yyyy-lot#-unit

SBE company identification  
 Unique SBE part number  
 Capacitance value and tolerance  
 DC voltage rating  
 Serial number (date code, lot number, unit number)

## Layout Details:



## Circuit Diagram



Contact SBE Inc. to discuss your specific requirements.

SBE reserves the right to amend design data