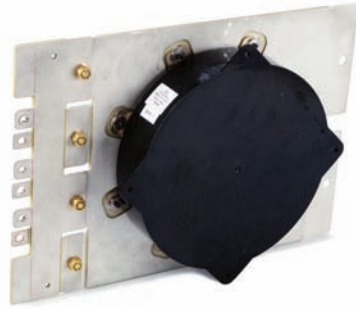


Power Ring Film Capacitor™ 1500 μ F, 900 Vdc

The 700A15899-509 Power Ring is a 900Vdc, 1500 μ F DC Link Capacitor on a laminated bus with an ESR of 150 micro-Ohms at 20kHz and an ESL of less than 15nH.



Electrical Specifications

SBE Part #: 700A15899-509

Capacitance/Tolerance: 1,500 μ F \pm 10%

DC Voltage Rating: 900 Vdc

Dielectric/Construction: Metallized polypropylene film. Single section design integrated with a laminar bus.

Dielectric Withstand: Units 100% tested at DC potential of 1,125 Volts for 2 minutes at 25°C

ESL at Output Tabs: Less than 15 nH for unit as shown (value does not include effects from additional hardware, bus adaptor, etc.)

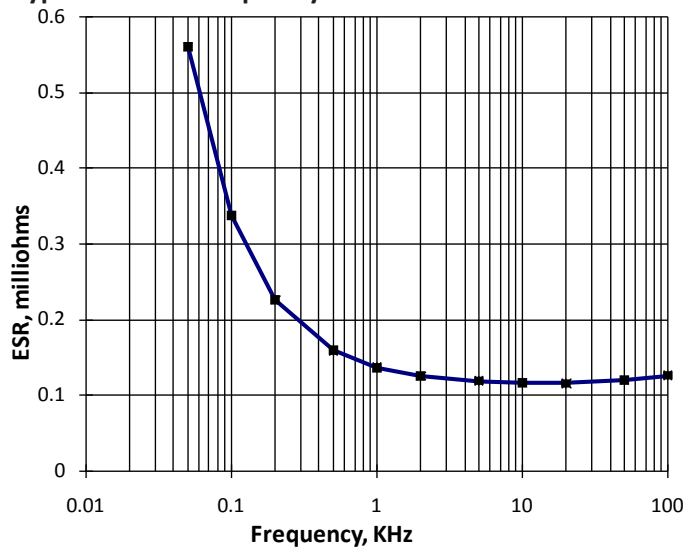
Thermal Resistance: 0.77°C/W (case side cooling only) and 0.36°C/W (case and bus side cooling only)

Operating Temperature: -40°C to +85°C hotspot temperature at full DC voltage rating

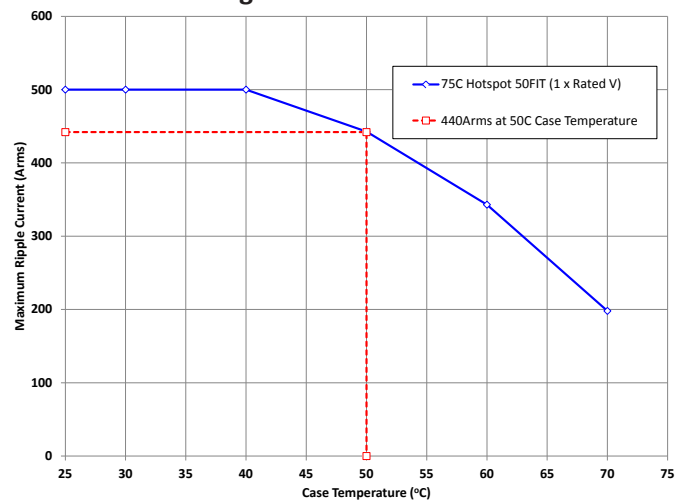
Voltage, Temperature De-rating: De-rate voltage linearly to 600 Vdc from +85°C to +105°C, with respect to hotspot temperature

System Fault Current Rating: 10,000 Amps maximum (external to the capacitor)

Typical ESR vs. Frequency:



RMS Current Rating:



SBE reserves the right to amend design data

Mechanical Specifications

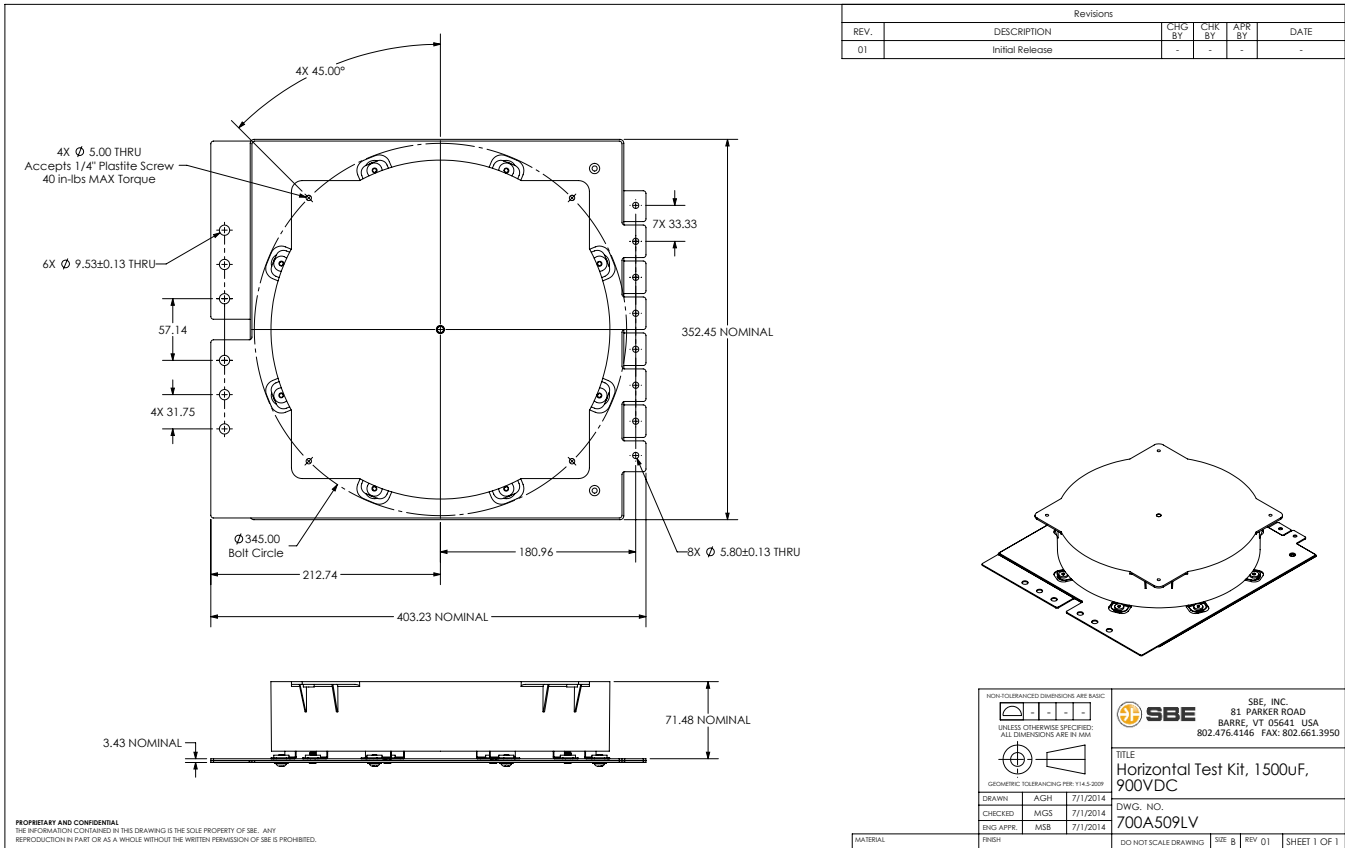
Dimensions: See layout drawing for details

Bus/Terminals: Tin plated copper,
0.136" thick

Encapsulation: Capacitors potted with RTV

Marking:

SBE	SBE company identification
700A509	SBE "short form" part number
1500 μ F \pm 10%	Capacitance value and tolerance
900 Vdc	DC voltage rating
yyww-lot#-unit	Serial number (date code, lot number, unit number)



Contact SBE Inc. to discuss your specific requirements.

#SBE-PR-700A509-08/14

SBE reserves the right to amend design data